

# DIN8M

## Portable tension meter for measuring traction ropes

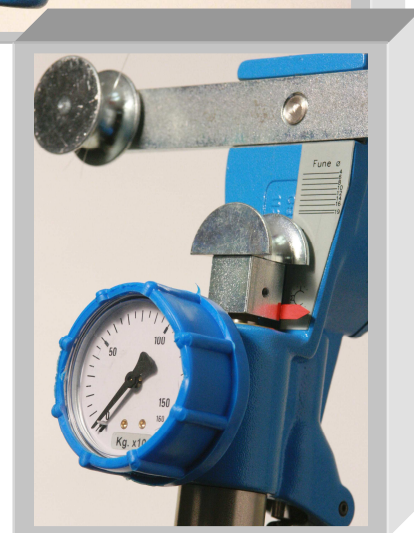
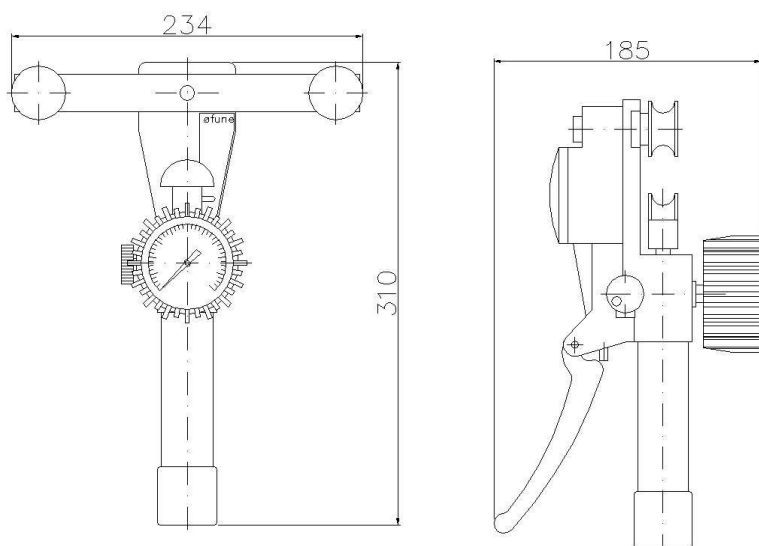
### Suitable for safety lines, stays, rods, towing ropes, cranes ropes

#### Features

- Capacities: 500, 1000, 2000, 3000 kg
- Diameter of ropes; from 6 to 19 mm
- Analog dial with protection
- Manual action with lever pump and Manual drain valve
- Protection IP: 65
- To be used on already stretched ropes

#### On demand accessories

- Suit case



**CAMI S.r.l.**

**MEASUREMENT INSTRUMENTS**

Via Alessandrini, 2 - 20090 TREZZANO S/N (MI)

Tel. 02 4840 0166 - Fax 02 4840 1905

[www.cami-it.com](http://www.cami-it.com) - e-mail [info@cami-it.com](mailto:info@cami-it.com)