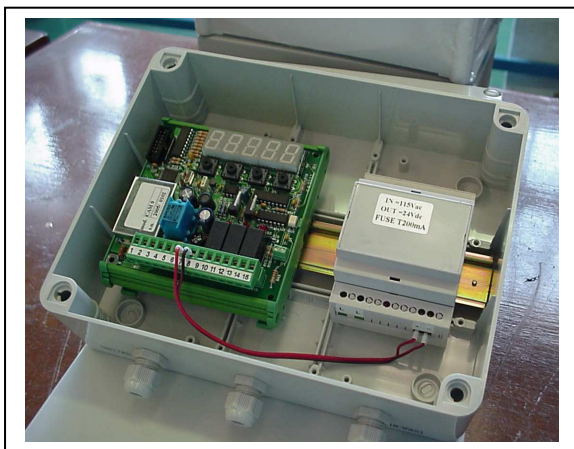
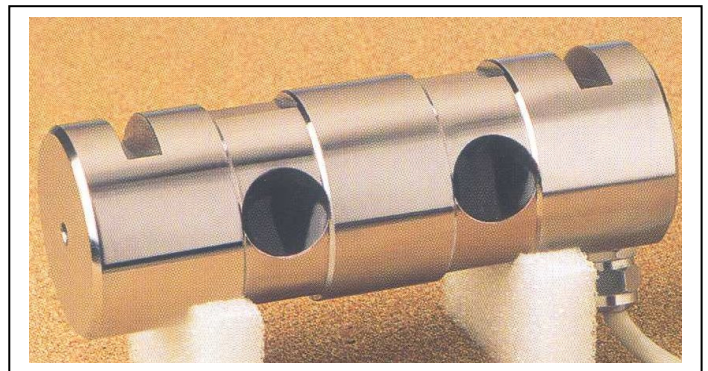


PE - DIN
LIMITER WITH DYNAMOMETRIC LOAD PIN

Limiters for cranes and lifting systems composed by a load cell for pulley installation.

Wiring connection with digital alarm unit CAM9N.

The dynamometric pin is dimensioned and realized for each specific application. Systems for new or existing plants are developed.



The CAM9N digital unit has nr.3 independent thresholds for limiter. The unit is fully programmable by the keyboard and display on board.

CAM9N unit can be supplied with analogue (4-20 mA or 0-10 V) output signal.

The CAM9N unit can be connected to wide display as weighing system or to other CAM9N to realize systems in summary

See technical data sheet of Dynammetric Load Pins and CAM9N units.

CAMI S.R.L.

MEASURE INSTRUMENTS

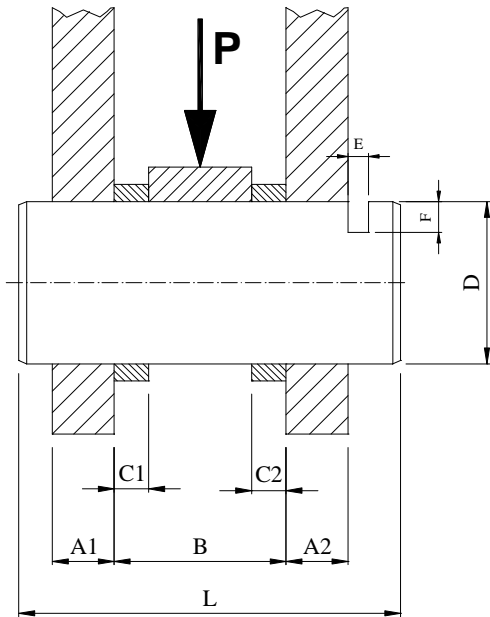
Via Alessandrini, 2 - 20090 TREZZANO S/N (MI)

Tel. 02 4840 0166 - Fax 02 4840 1905

www.cami-it.com - info@cami-it.com

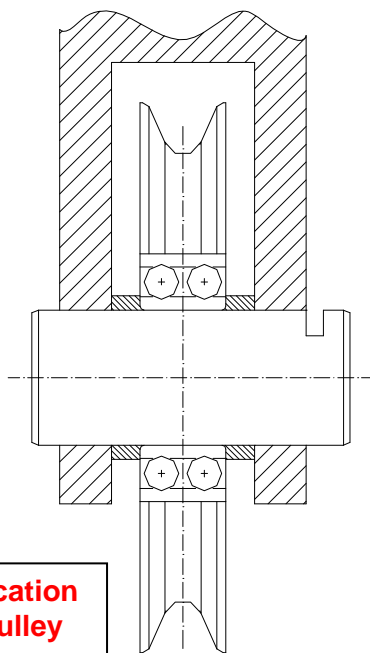
DYNAMOMETRIC PINS

Dimensioning data sheet

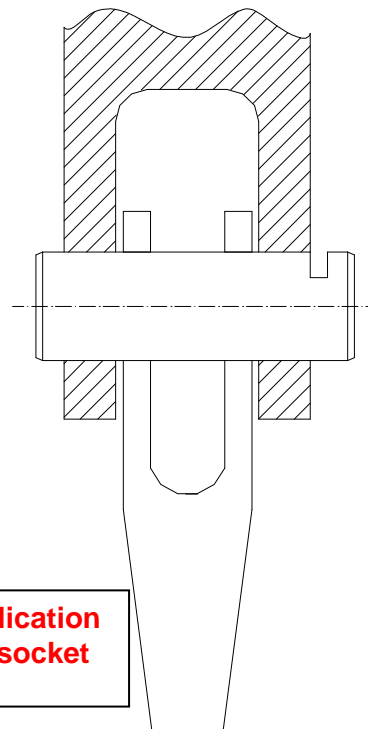


Pos.	Quota [mm]
A1	
A2	
B	
C1	
C2	
D	
E	
F	

Carico [kg]	
P	



**Application
on pulley**



**Application
on socket**

CAMI S.R.L.

MEASURE INSTRUMENTS

Via Alessandrini, 2 - 20090 TREZZANO S/N (MI)

Tel. 02 4840 0166 - Fax 02 4840 1905

www.cami-it.com - info@cami-it.com