

PE DIN-2P

Load Cells with two independent Wheatston Bridges

Load cells designed for application on pulley of cranes and lifting systems.

Execution for SIL2 certified plants

Custom execution



TECHNICAL FEATURES

Capacity	On demand
Material	Alloy Steel 39NiCrMo5
Overload Admitted	150 % F.S.
Breaking Load	Over 500 % F.S.
Voltage supply (MAX VALUE)	15 V c.c.
Internal circuit	Nr.2 independent full bridges
Nominal Signal	~1 mV/V
Accuracy (Linearity , Isteresys)	+/- 0,2 % F.S.
Repeatability	+/- 0,1 % F.S.
Input Output Resistance	700 Ohm +/- 20 ohm
Creep at full load (20 min)	+/- 0,02 % F.S.
Nominal Temperature range	-10 / +50 °C
Extreme Temperature Range	-20 / +70 °C
Protection Degree	IP 67
Wiring connection	Nr.2 shielded cable 4x0,35 mm ²
Cable standard length	4 Meters
Signal connection	With double cable gland
Max cable length without amplifier	20 Meters
Working principle	Shear

CAMI S.R.L.

MEASUREMENT INSTRUMENTS

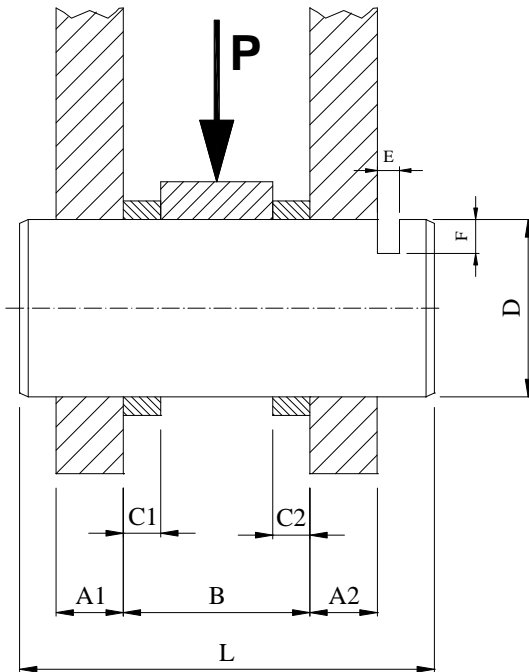
Via Alessandrini, 2 - 20090 TREZZANO S/N (MI)

Tel. 02 4840 0166 - Fax 02 4840 1905

www.cami-it.com - e-mail info@cami-it.com

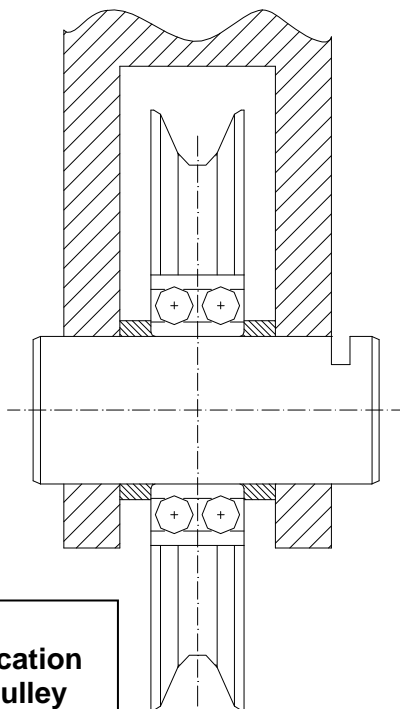
Load Cells PE-DIN – 2 P

DIMENSIONING TABLE

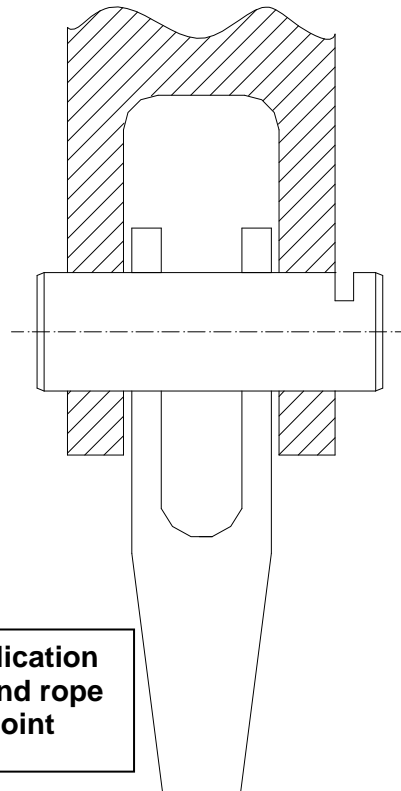


Pos.	Quota [mm]
A1	
A2	
B	
C1	
C2	
D	
E	
F	

Carico [kg]	
P	



Application
on pulley



Application
on end rope
point

CAMI S.R.L.

MEASUREMENT INSTRUMENTS

Via Alessandrini, 2 - 20090 TREZZANO S/N (MI)

Tel. 02 4840 0166 - Fax 02 4840 1905

www.cami-it.com - e-mail info@cami-it.com