

PE DIN

Dynamometric Load Pin

Load cells designed for application on pulley of cranes and lifting systems.

Custom execution



TECHNICAL FEATURES

Capacity	On demand
Material	Alloy Steel 39NiCrMo5
Overload Admitted	150 % F.S.
Breaking Load	Over 500 % F.S.
Voltage supply (MAX VALUE)	15 V c.c.
Internal circuit	Strain Gauge single or double Wheatstone bridge
Nominal Signal	~1 mV/V
Accuracy (Linearity , Isteresys)	+/- 0,2 % F.S.
Repeatability	+/- 0,1 % F.S.
Input Output Resistance	700 Ohm +/- 20 ohm
Creep at full load (20 min)	+/- 0,02 % F.S.
Nominal Temperature range	-10 / +50 °C
Extreme Temperature Range	-20 / +70 °C
Protection Degree	IP 67
Wiring connection	Nr.2 shielded cable 4x0,35 mm ²
Cable standard length	4 Meters
Signal connection	With double cable gland
Max cable length without amplifier	20 Meters
Working principle	Shear

CAMI S.R.L.

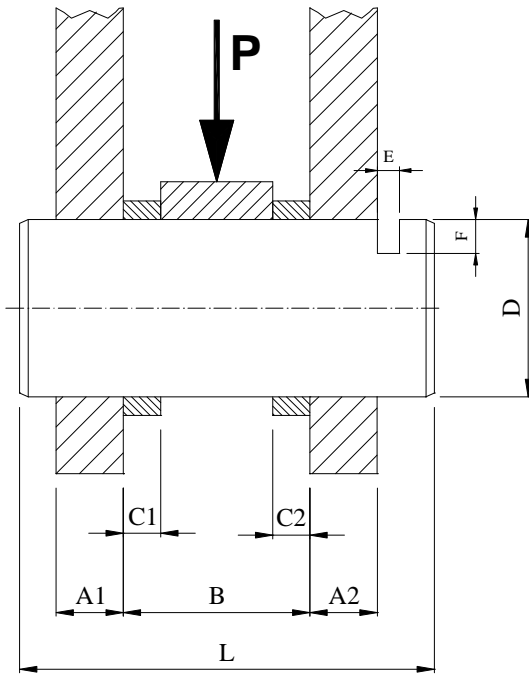
MEASUREMENT INSTRUMENTS

Via Alessandrini, 2 - 20090 TREZZANO S/N (MI)

Tel. 02 4840 0166 - Fax 02 4840 1905

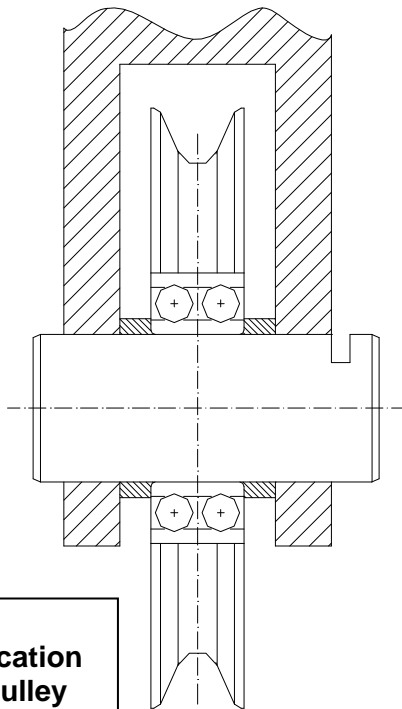
www.cami-it.com - e-mail info@cam-i-it.com

Load Cell PE-DIN
DIMENSIONING TABLE

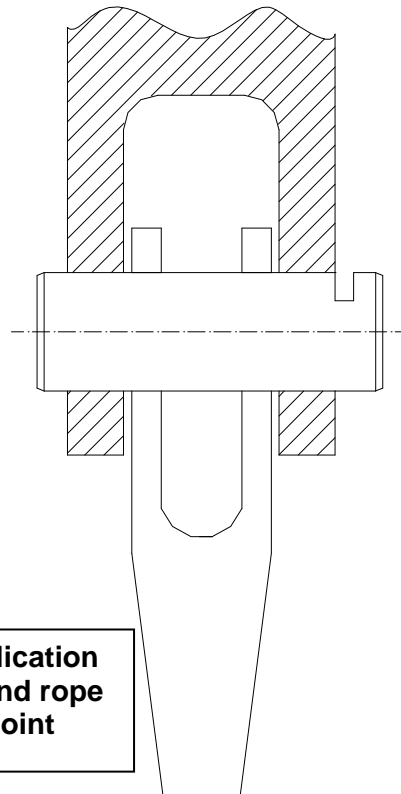


Pos.	Quota [mm]
A1	
A2	
B	
C1	
C2	
D	
E	
F	

Carico [kg]	
P	



Application on pulley



Application on end rope point

CAMI S.R.L.

MEASUREMENT INSTRUMENTS

Via Alessandrini, 2 - 20090 TREZZANO S/N (MI)

Tel. 02 4840 0166 - Fax 02 4840 1905

www.cami-it.com - e-mail info@cami-it.com