

# DIN8-LE ROPE TENSION METER

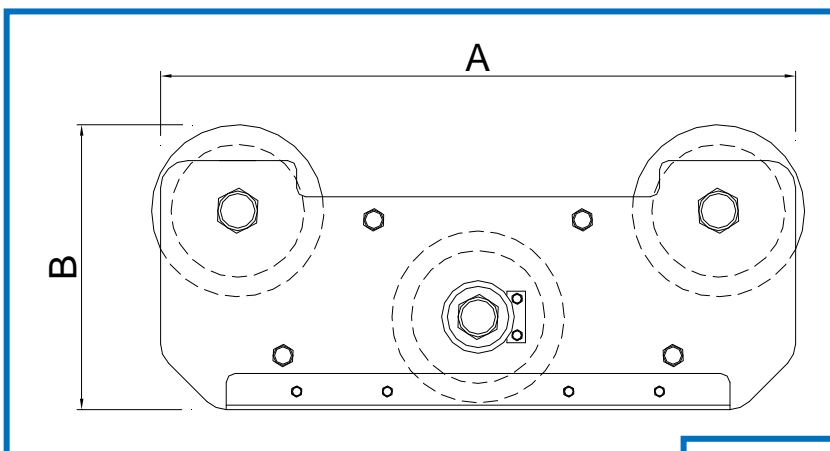
## Features.

Instrument with internal load cell designed to measure the load on moving metallic ropes.

The **DIN8 LE** measures the load without interruption also in dynamic conditions.

Available with a large gamma of display and digital unit for each application (limiter of load, monitoring systems, testing device and others)

- Sensor: dynamometric load pin
- Capacities: from 1000 to 25000 kg with ropes diameters from 6 to 40 mm  
Accuracy: 0.5% f.s.
- Over Load admitted: 150% f.s.; Safety factor 300% f.s.
- Protection degree: IP67 ; Working temperature:  $-20 \div +70^{\circ} \text{C}$
- Material: galvanized alloy steel
- Wheels on bearings.

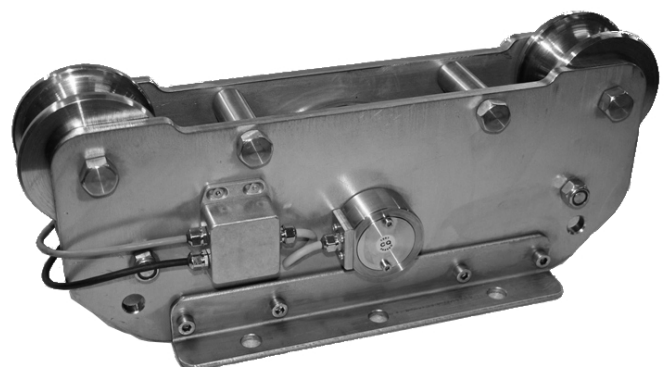


Capacities	A	B	C (dept)	Weight
5000 kg	300 mm	200 mm	180 mm	7 kg
10000 kg	480 mm	200 mm	180 mm	15 kg
25000 kg	480 mm	380 mm	250 mm	40 kg

**CUSTOM EXECUTIONS**

**Calibration and CE Certificates**

**ATEX execution on request**



**CAMI S.r.l.**

**PROGETTAZIONE E COSTRUZIONE STRUMENTI DI MISURA**

Via Alessandrini, 2 - 20090 TREZZANO S/N (MI)

Tel. 02 4840 0166 - Fax 02 4840 1905

