

DIN 13

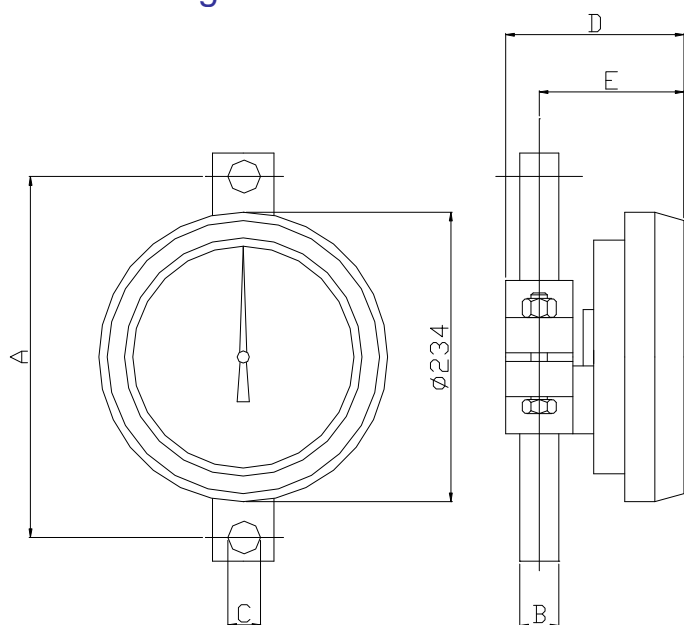
Mechanical dynamometer with load elastic body Traction working

Features

- Capacities: from 1000 to 10000 kg
- Analog dial 200 mm diameter
- Painted aluminum case
- Spring in harmonic steel, strong execution
- Features in galvanized steel
- Accuracy: 1% f.s.
- Overload: 120% f.s.
- Safety factor: 3
- Working temperature: $-30 \div +60$ °C
- Protection degree: IP54

On demand

- Maximum load index
- Shackles
- Revolving Hook



Capacity [kg]	Div. [kg]	Weight [kg]	Dimensions [mm]				
			A	B	C	D	E
500	1	8	268	25	20	155	134
1000	2	8	268	25	20	155	134
2000	5	8	268	25	20	155	134
3000	10	8	268	25	20	155	134
6000	20	13	282	35	26	179	158
10000	20	13	298	50	36	179	158

CAMI S.r.l.

MEASUREMENT INSTRUMENT

Via Alessandrini, 2 - 20090 TREZZANO S/N (MI)

Tel. 02 4840 0166 - Fax 02 4840 1905

www.cami-it.com - e-mail info@cami-it.com