

DIN 12

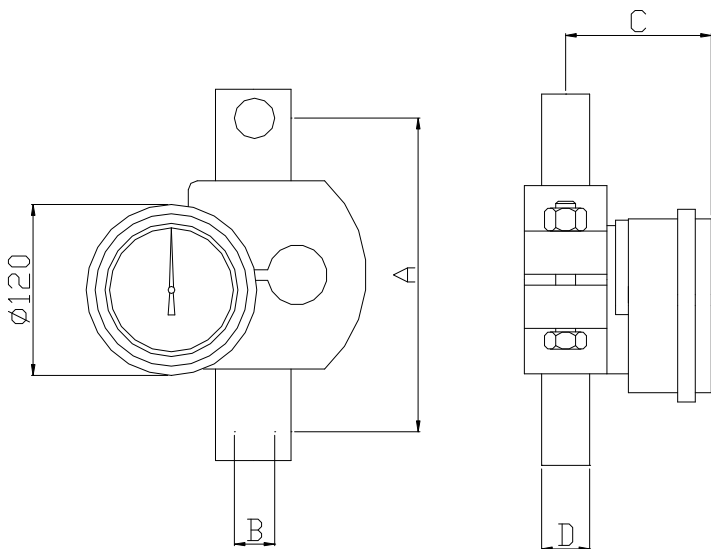
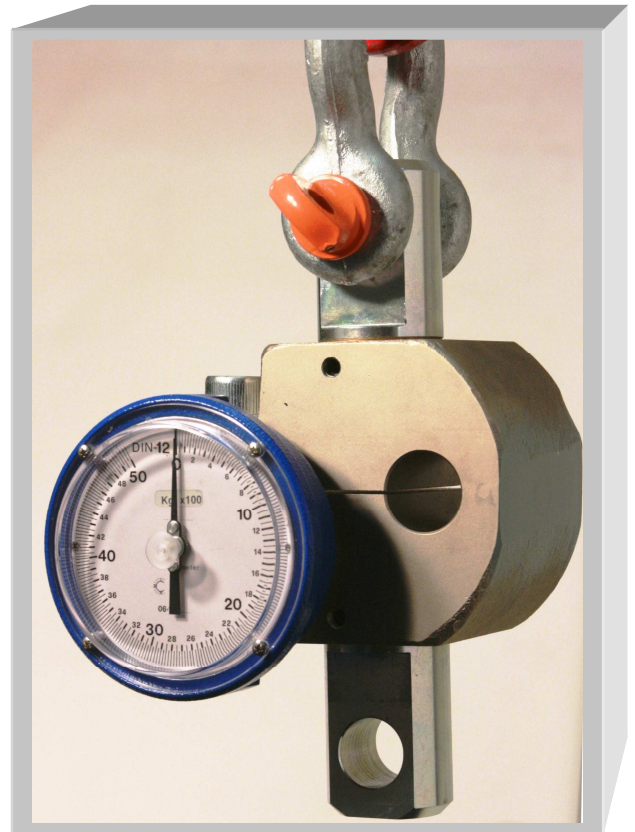
Mechanical dynamometer with load elastic body Traction working

Features

- Capacities: from 2 to 200 kg
- Analog dial 100 mm diameter
- Painted aluminum case
- Spring in harmonic steel, strong execution
- Features in galvanized steel
- Accuracy: 1% f.s.
- Overload: 120% f.s.
- Safety factor: 3
- Working temperature: $-30 \div +60$ °C
- Protection degree: IP54

On demand

- Maximum load index
- Shackles
- Revolving Hook



Capacity [kg]	Div. [kg]	Weight [kg]	Dimensions [mm]			
			A	B	C	D
500	3	6	192	20	74	25
1000	5	6	192	20	74	25
2000	10	6	192	20	74	25
3000	20	6	192	20	74	25
6000	25	11	206	36	98	35
10000	50	11	222	26	98	50

CAMI S.r.l.

MEASUREMENT INSTRUMENTS

Via Alessandrini, 2 - 20090 TREZZANO S/N (MI)

Tel. 02 4840 0166 - Fax 02 4840 1905

www.cami-it.com - e-mail info@cami-it.com