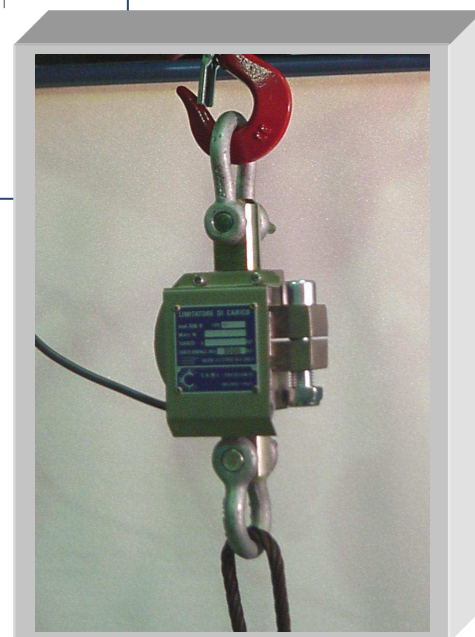
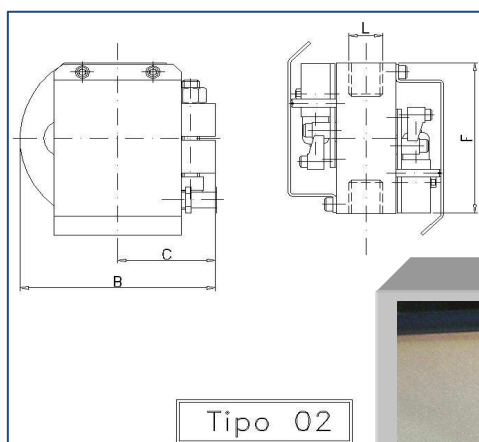
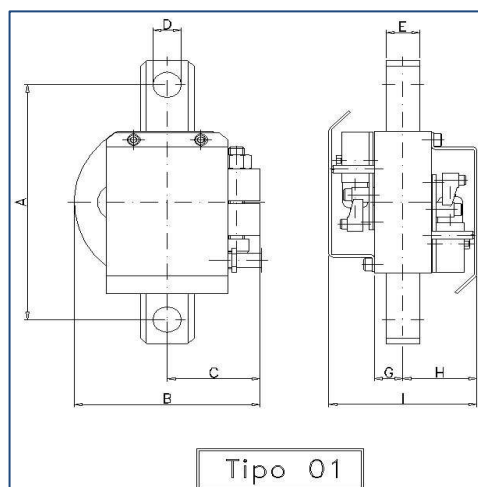


DIN 9 A

Mechanical Limiter



DIN 9											
PORTATA [kg]	PESO [kg]	DIMENSIONI [mm]									
		A	B	C	D	E	F	G	H	I	L
1000	5.5	192	138	69	20	25	116	21	56	112	M24
3000	5.5	192	138	69	20	25	116	21	56	112	M24
6000	9.5	207	138	69	26	36	116	45	80	160	M30
10000	9.5	222	138	69	36	50	116	45	80	160	M36

Technical features

- Electromechanical limiter with elastic body
- Elastic Body in galvanized hardened alloy steel
- Suitable for outdoor application (IP 65)
- Capacities from 1000 to 10.000 kg
- Temperature range: -30 ÷ +60°C
- Overload admitted: 150% full scale without calibration damage
- Safety factor: 500% full scale
- Nr.1 or 2 thresholds by microswitches (three wires NO – NC – COM)
- Electrical connection by cable section 1 mm² (length standard 3 meters)
- Dielectric insulation: 1000 V (50 Hz) between the contacts, 2000 V (50 Hz) versus ground.
- Voltage max: 360 V 50 Hz
- Current max.: 10 A
- Accuracy: +/- 1% respect the full scale.

Versions

- Tipo 01: with shackles connections; nr. 1 o 2 contacts
- Tipo 02: without shackles connections; nr. 1 o 2 contacts
- Tipo 03: con nr. 1 o 2 ATEX execution Eex IIB + H2 T6

CAMI S.R.L.

MEASUREMENT INSTRUMENTS

Via Alessandrini, 2 - 20090 TREZZANO S/N (MI)

Tel. 02 4840 0166 - Fax 02 4840 1905

www.cami-it.com - e-mail info@cami-it.com