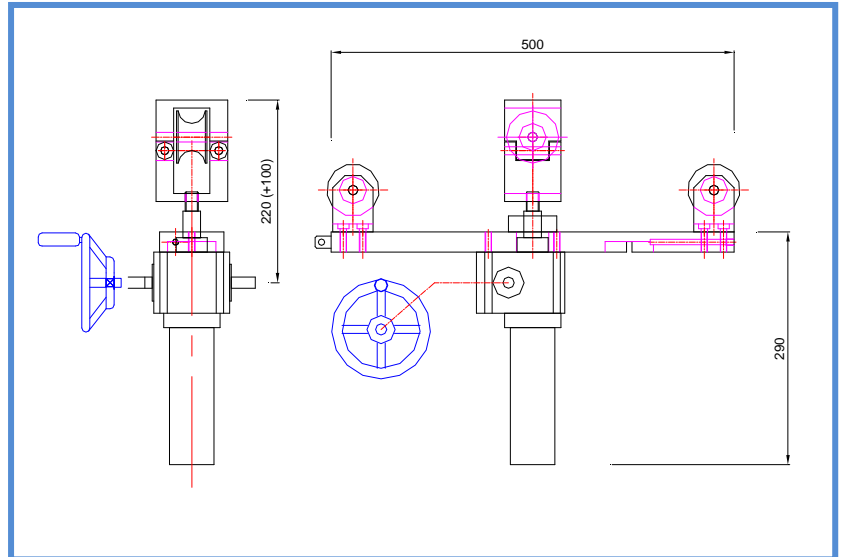
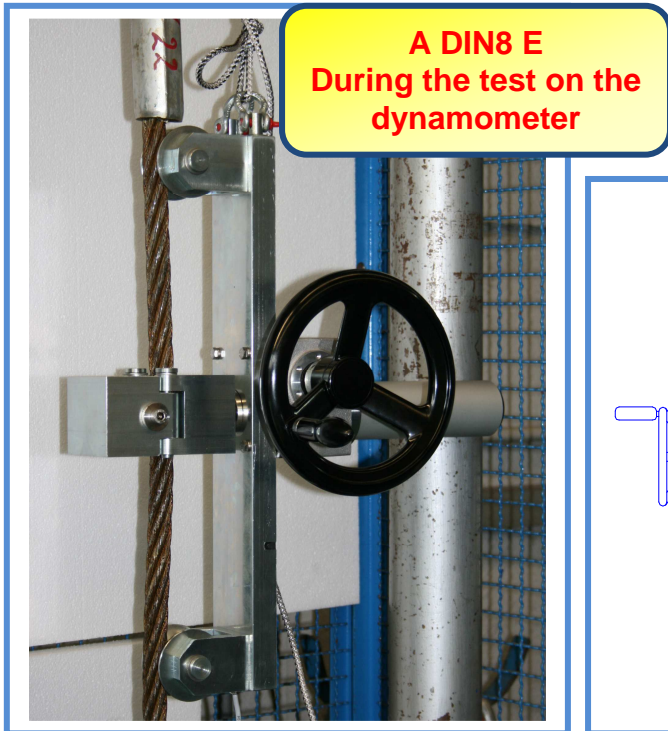


DIN8 E

ELECTRONIC ROPE TENSION METER



The DIN8E is an instrument with a special load cell designed to measure the force on metallic ropes when they are under load.

This instrument is driven on the rope by a trapezoidal screw jack actuated by a manual wheel; the execution is suitable to outdoor use also in harsh conditions.

The DIN8E is designed to be connected to handle display DIN109 or *DIN105 Grip*.

The DIN8 E is available in three capacities and for a large field of diameters of ropes.

Main Features

- Capacities: 3000 kg, 6000 kg, 12000, kg
- Diameters of ropes: from 6 to 30 mm (is required an adaptor for each diameter)
- Accuracy: 2% f.s.; Over Load admitted: 150%
- Load cell: galvanized alloy steel
- Temperature working: -20 ÷ +60 °C; Protection degree: IP65;
- Weights: 4 kg (3000 kg version) ; 6 kg (6000 and 12000 kg versions)
- Connection: by wire with MIL connector plug

CAMI S.r.l.

MEASUREMENT INSTRUMENTS

Via Alessandrini, 2 - 20090 TREZZANO S/N (MI)

Tel. 02 4840 0166 - Fax 02 4840 1905

www.cami-it.com - e-mail info@cami-it.com