

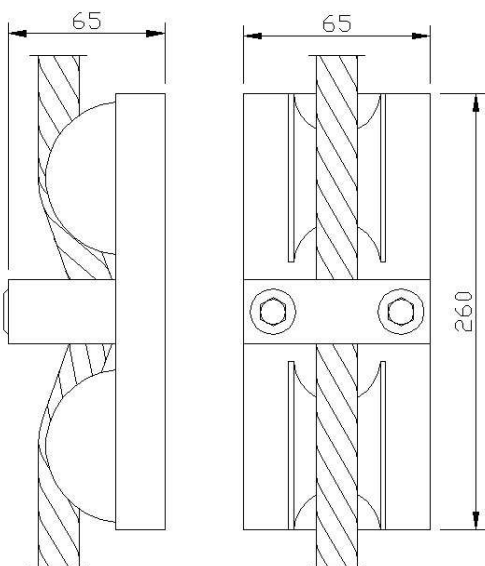
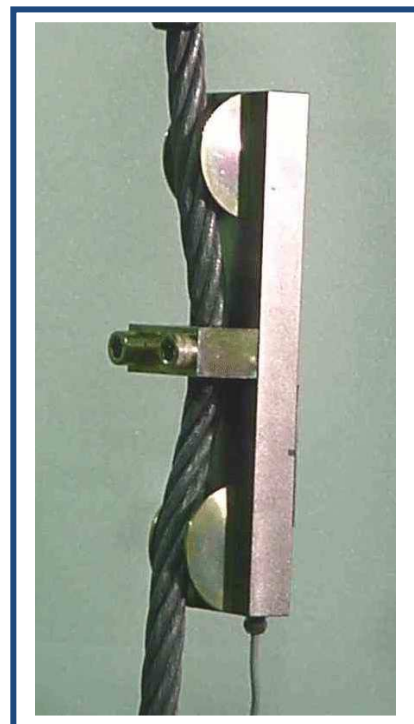
# DIN 18

## Rope limiter

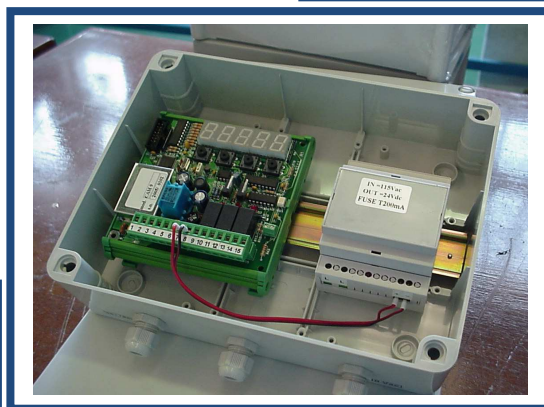
Limiter with load cell for installation on the ropes of cranes, lifting systems and draft gear

### • Features

- Working principle with belt load cell fixed on the rope
- Body in galvanized alloy steel
- Very fast to install, it doesn't required the rope disassembly
- Ambient temperature: -10 + 60°C
- Protection degree: IP65
- Capacities from 1000 to 12000 kg (on the rope)
- Over load admitted: 150% nominal load
- Diameter of ropes: until 30 mm
- Connection by wire to limiter digital unit CAM9N (see data sheet)
- Connector plug MIL IP67
- Accuracy: +/- 1% of the load on the rope



**CAM 9N** digital unit in case with voltage supply unit.



**CAMI S.R.L.**

**MEASUREMENT INSTRUMENTS**

Via Alessandrini, 2 - 20090 TREZZANO S/N (MI)

Tel. 02 4840 0166 - Fax 02 4840 1905

[www.cami-it.com](http://www.cami-it.com) - e-mail [info@cami-it.com](mailto:info@cami-it.com)