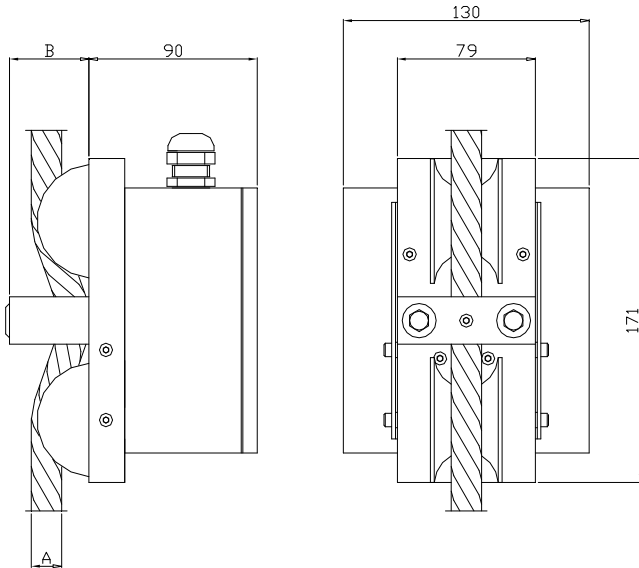


Limiters for cranes with load cell

DIN15B-E



Capacities [kg]	Diameter of ropes	A [mm]
1000	8 ÷ 12	34
3200	14 ÷ 20	42
6300	22 ÷ 26	48
10000	28 ÷ 32	54

Features

- Limiter for application direct on the rope with electronic board integrated
- Load cell body in galvanized alloy steel
- Easy installation and set up without rope disassembly
- Available for ropes from 8 to 32 mm diameter
- Capacity until 8000 kg (load on the rope)
- Suitable for outdoor application (IP 66)
- Temperature range: -10 ÷ +60°C
- Over load admitted: 150% f.s.
- Electronic board CAM9N unit
- Nr.3 independent alarm thresholds
- Voltage supply: 12÷24V ac/dc
- Alarm slack rope function

Options.

Keyboard with display for calibration in site
Analogue output port
Serial output port



*Version with
keyboard and display*

CAMI S.R.L.

MEASUREMENT INSTRUMENTS

Via Alessandrini, 2 - 20090 TREZZANO S/N (MI)

Tel. 02 4840 0166 - Fax 02 4840 1905

www.cami-it.com - e-mail info@cami-it.com