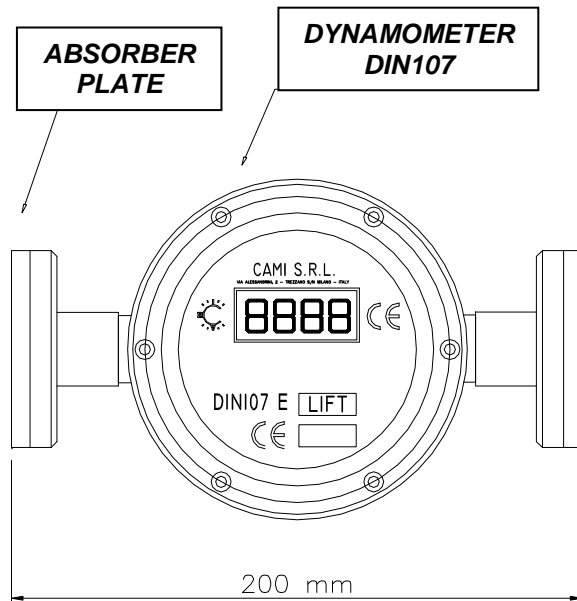


Electronic dynamometer DIN 107 LIFT



DIN 107 LIFT		
Capacity [kg]	Div. [gr.]	Weight [kg]
20	10	1.1
50	20	

Electronic dynamometer with load cell for measurement of opening and closing force in the sliding doors

Features.

- Accuracy (linearity and repeatability): +/- 0.1% (f.s.)
- Over Load admitted: 150% ; Safety factor: 300% f.s.
- Functions: zero reset, peak function, auto OFF, digital filter
- Supply: rechargeable battery set ; autonomy: 36 hours
- Display with 4 digit LED height 14 mm
- Indication of stable measurement
- Case in polycarbonate IP 54
- Working temperature: -5 ÷ +55°C

Standard equipment

- Threaded pins (M8)
- Absorber plates DN 52 mm
- Battery charger 220 V 50/60 Hz
- Calibration certificate and CE
- User manual

On demand accessories

- Suitcase



CAMI S.r.l.

MEASUREMENT INSTRUMENTS

Via Alessandrini, 2 - 20090 TREZZANO S/N (MI)

Tel. 02 4840 0166 - Fax 02 4840 1905

www.cami-it.com - e-mail info@cami-it.com